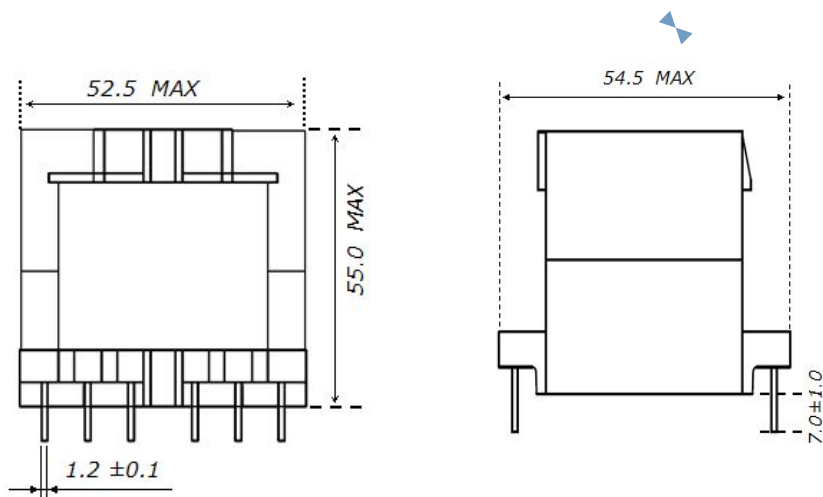


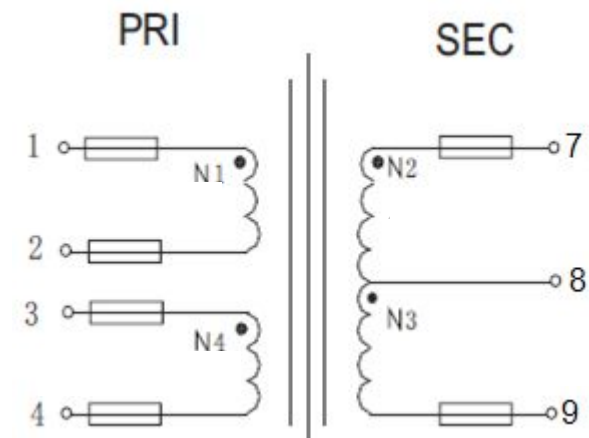
CUSTOMER TERMINAL	ROHS	Lead(Pb)-free
	Yes	Yes



1. Mechanical Dimensions: (mm)



2. Schematic Diagram



3. Material List

Core:FW40-PQ5050
 Bobbin:FWB5003-S (6+6PIN)
 Wire: 2UEW Ø0.12mm*100 TIW-B0.6mm 0.55mm
 Tapes:JY25-A1
 Varnish:T4260GK

4. Electrical Specification

Inductance: $L = 800\mu H \pm 5\%$ 1KHZ 1V
 Hi-pot: P-S AC50HZ 4000V 2mA 3SEC
 Coil-Core AC50HZ 1000V 2mA 3SEC

REV.	DATE	 Convention placement	DRW.	DRAWING TITLE	Part No:		
0	03/22		CHK.			TRANSFORMER	FWPTPQ5050V801J
			APP.				
RoHS		www.ferriwo.com			SPECIFICATION SHEET 1 OF 1		